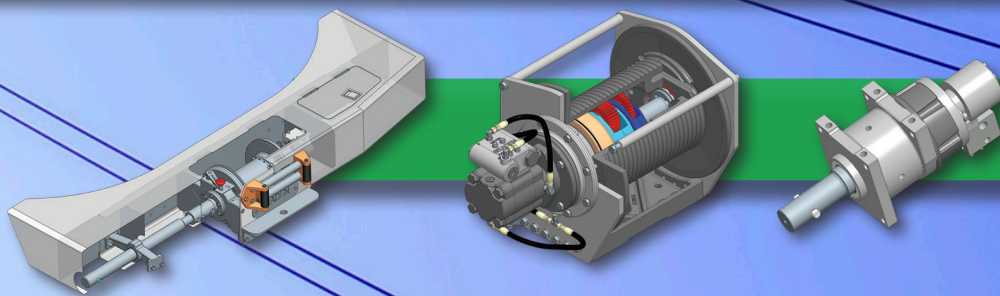


BRADEN[®]

A **PACCAR** COMPANY

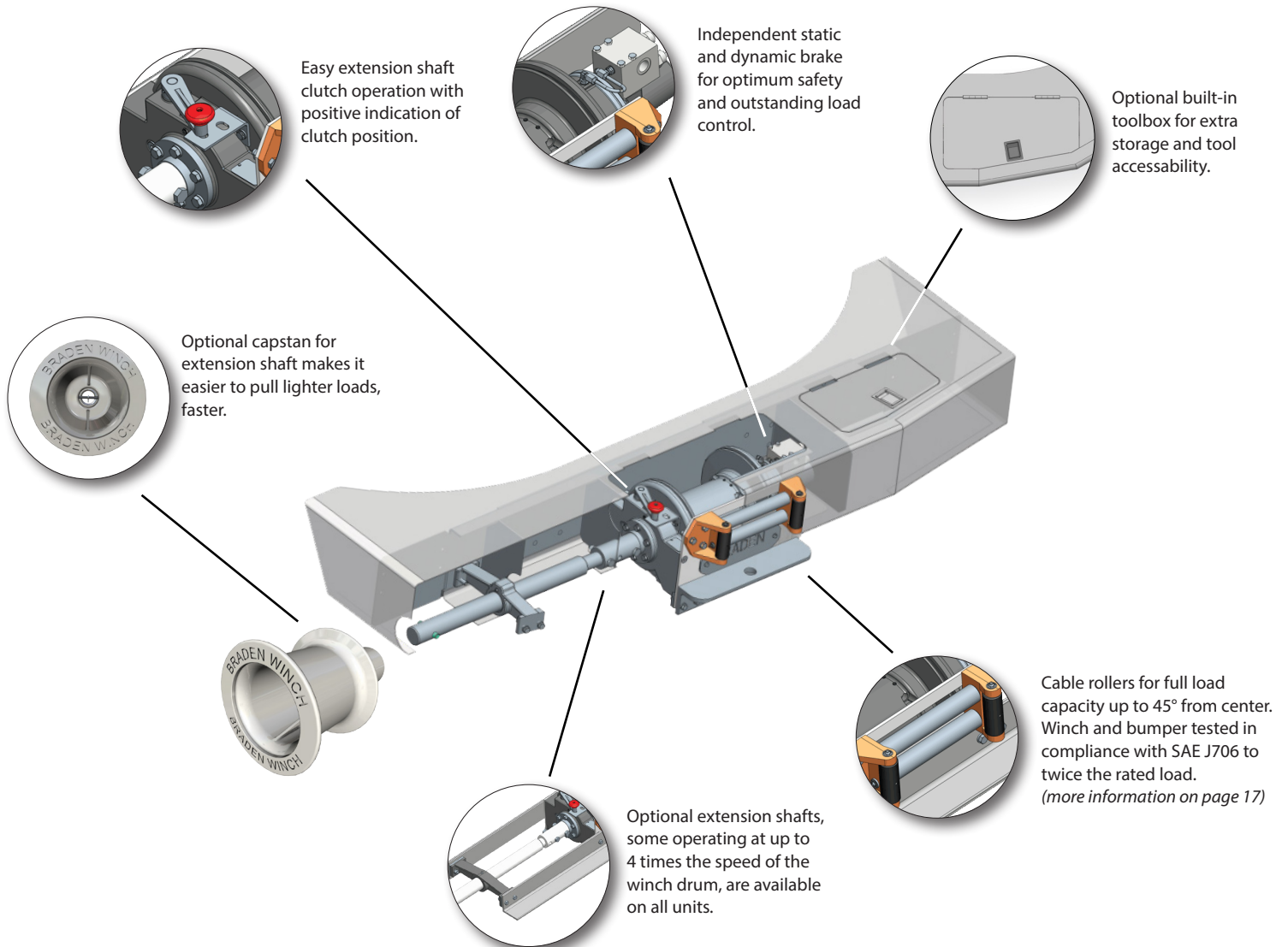
Utility Product Guide



BRADEN[®]

A PACCAR COMPANY

Braden gets the job done with superior winch and hoist design. Built to exceed typical use requirements, Braden products draw on decades of experience and innovation to provide reliable, cutting edge products.

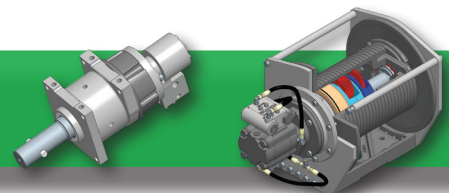


All BRADEN winches and hoists meet required safety and environmental standards for utility use.

*Safety and environmental standards followed are subject to those in use at date of production.



Also see our capstan only drives and utility winches (pages 10-15)



Contents

Recovery Winch Bumpers

<i>HUP12 (12,000lb.)</i>	2
<i>PD18C (20,000lb.)</i>	4
<i>PD35A (35,000lb.)</i>	8

Capstan Only Drives

<i>PCD24B (6,000lb.)</i>	10
--------------------------------	----

More Utility and Recovery Winches

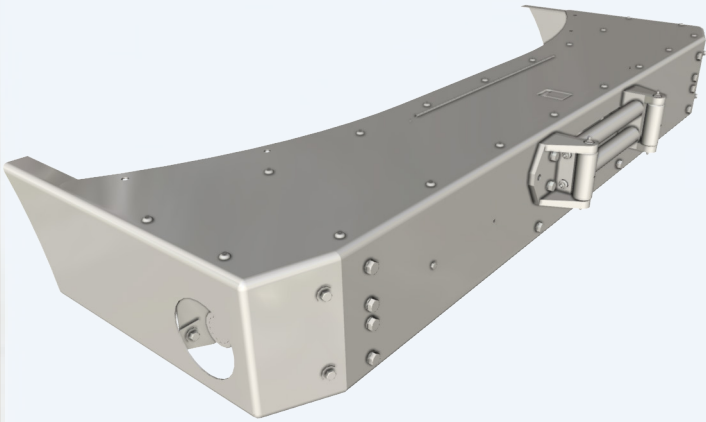
<i>BP200B (20,000lb.)</i>	12
<i>PD15B-41064-04 (15,000lb.)</i>	14
<i>HP35A (33,000lb.)</i>	15

Accessories

<i>Tension Roller & Capstan Head</i>	16
--	----



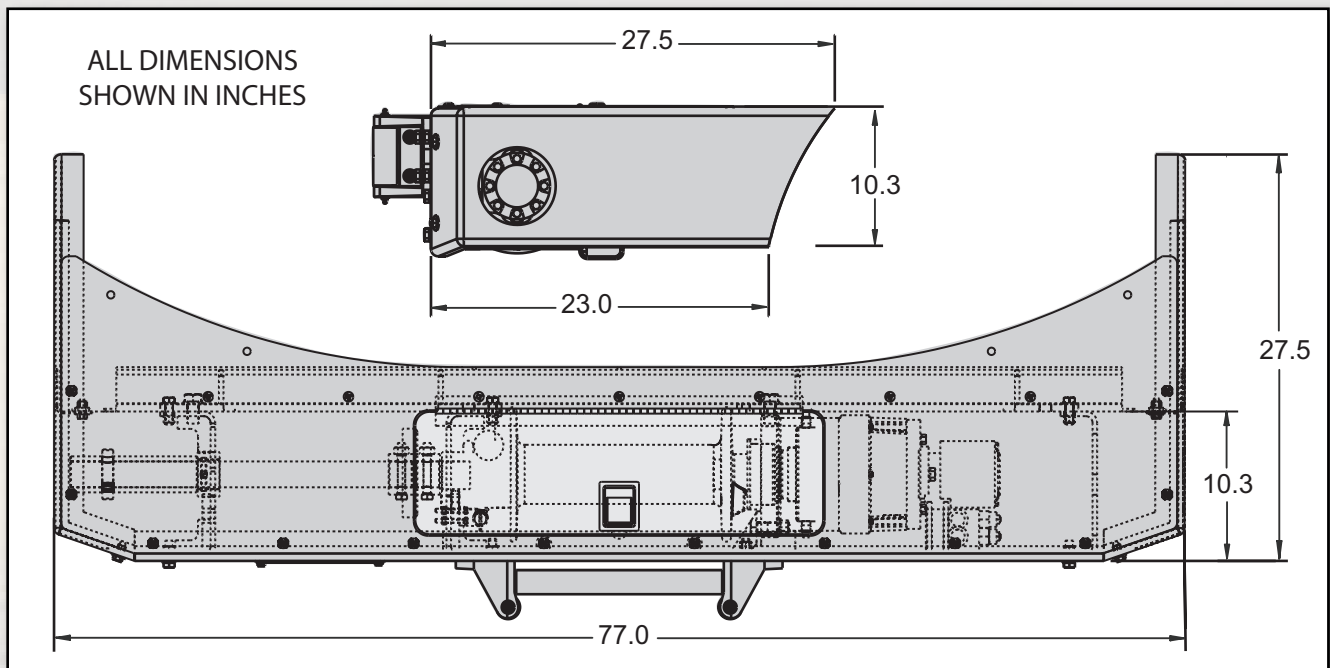
HUP12 Planetary Recovery Winch 12,000 lb (5,450kg)



Features

- Universal Bumper Mount
- Rugged and compact design
- Enclosed oil bath "wet" disc brake for outstanding load control
- High efficiency planetary gearing
- Negative draft jaw clutch for positive engagement
- Drag brake to reduce drum overspin
- Optional Street-side or Curb-side extension shaft
- Optional Two-speed Motor

DIMENSIONALS



PERFORMANCE

HUP12A-08119-01

11.9 cu in. Motor (195cc)
2700 PSI (175 bar) @ 20 gpm (76 lpm)
Wire Rope Diameter: 1/2"

	LINE PULL		LINE SPEED		ROPE CAPACITY*	
	LB	KG	FPM	MPM	FT	M
1	12,000	5,450	51	16	30	9
2	9,800	4,460	63	19	66	20
3	8,300	3,750	74	23	109	33
4	7,200	3,250	86	26	158	48
5	6,350	2,880	97	30	211	64

*Rope capacity based on 90% of theoretical

EXTENSION SHAFT RATING

7" CAPSTAN				20" C.R. REEL			
LINE PULL		LINE SPEED		LINE PULL		LINE SPEED	
lbs	FPM	lbs	FPM	lbs	FPM	lbs	FPM
2,250	86	800	240				

HUP12A-08142/071-01

14.20/7.10 cu in. 2-Speed Motor (233/116cc)
2400 PSI (152 bar) @ 20 gpm (76 lpm) Wire Rope Diameter: 1/2"

	LOW SPEED				HIGH SPEED				ROPE CAPACITY*	
	LINE PULL		LINE SPEED		LINE PULL		LINE SPEED			
	LB	KG	FPM	MPM	LB	KG	FPM	MPM	FT	M
1	12,000	5,450	40	12	5,000	2,240	86	26	30	9
2	9,800	4,460	49	15	4,000	1,830	105	32	66	20
3	8,300	3,750	58	18	3,400	1,550	125	38	109	33
4	7,200	3,250	68	21	2,960	1,340	144	44	158	48
5	6,350	2,880	77	23	2,610	1,180	163	50	211	64

* Rope capacity based on 90% of theoretical

EXTENSION SHAFT RATING

7" CAPSTAN				20" C.R. REEL			
LOW SPEED		HIGH SPEED		LOW SPEED		HIGH SPEED	
LINE PULL	LINE SPEED	LINE PULL	LINE SPEED	LINE PULL	LINE SPEED	LINE PULL	LINE SPEED
lbs	FPM	lbs	FPM	lbs	FPM	lbs	FPM
2,250	68	1,600	144	800	195	570	413

DRUM CAPACITY

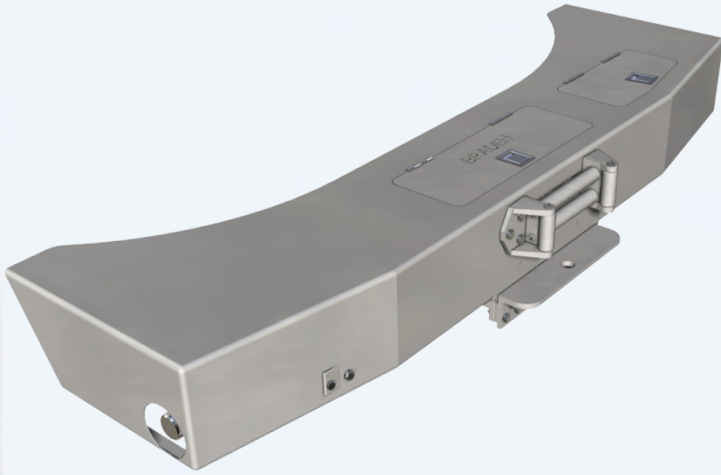
-01 DRUM CAPACITY (4.00" B x 9.10" F x 14.00" W)

	PD/d	1	2	3	4	5	6
3/8"	11.6:1	38	83	134	192	256	327
1/2"	9.0:1	30	66	109	158	211	
9/16"	8.1:1	26	59	98	144		

* Rope capacity based on 90% of theoretical

Fleet
Specified

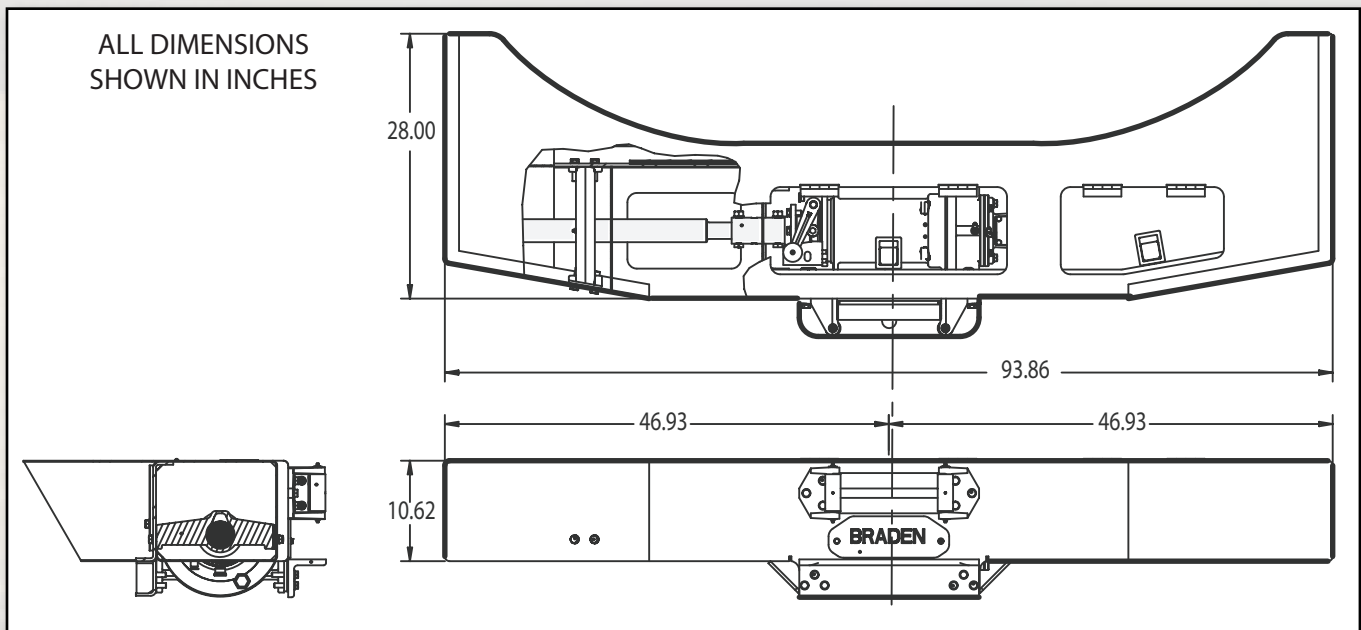
PD18C Planetary Recovery Winch 20,000 lb (9,100kg)



Features

- Designed for compliance with SAE J706
- Jaw clutch with negative draft for positive clutch engagement
- Enclosed oil bath "wet" disc brake for outstanding load control
- Low-speed high-torque hydraulic motor
- Extension shaft speed is more than 4 times drum speed
- Drag brake to reduce drum overspin
- Optional Air Shift Kit for Freespool Clutch

DIMENSIONALS



PERFORMANCE

PD18C-11 F

11.9 cu in. Motor (195cc)
2450 PSI (169 bar) @ 30 gpm (113 lpm)
Wire Rope Diameter: 5/8"

	LINE PULL		LINE SPEED		ROPE CAPACITY*	
	LB	KG	FPM	MPM	FT	M
1	20,000	9,100	42	13	30	9
2	17,100	7,800	49	15	65	20
3	15,000	6,800	56	17	105	32
4	13,300	6,000	63	19	150	46
5	11,900	5,400	70	21	201	61

*Rope capacity based on 90% of theoretical

EXTENSION SHAFT RATING

7" CAPSTAN		20" C.R. REEL	
LINE PULL	LINE SPEED	LINE PULL	LINE SPEED
lbs	FPM	lbs	FPM
3,000	197	1,000	560

PD18C-11/14

11.9 cu in. Motor (195cc)
2450 PSI (169 bar) @ 30 gpm (113 lpm)
Wire Rope Diameter: 5/8"

	LINE PULL		LINE SPEED		ROPE CAPACITY*	
	LB	KG	FPM	MPM	FT	M
1	20,000	9,100	42	13	30	9
2	17,100	7,800	49	15	65	20
3	15,000	6,800	56	17	105	32
4	13,300	6,000	63	19	150	46
5	11,900	5,400	70	21	201	61
6	10,800	4,900	77	23	257	78

*Rope capacity based on 90% of theoretical

DRUM CAPACITY

-11 DRUM CAPACITY

(6.75" B x 13.00" F x 10.94" W)

	PD/d	1	2	3	4	5	6
1/2"	14.5:1	37	79	126	178	235	298
9/16"	13.0:1	33	71	114	162	216	
5/8"	11.8:1	30	65	105	150	201	

*Rope capacity based on 90% of theoretical

-11/14 DRUM CAPACITY

(6.75" B x 14.25" F x 10.94" W)

	PD/d	1	2	3	4	5	6	7
1/2"	14.5:1	37	79	126	178	235	298	366
9/16"	13.0:1	33	71	114	162	216	275	
5/8"	11.8:1	30	65	105	150	201	257	

*Rope capacity based on 90% of theoretical

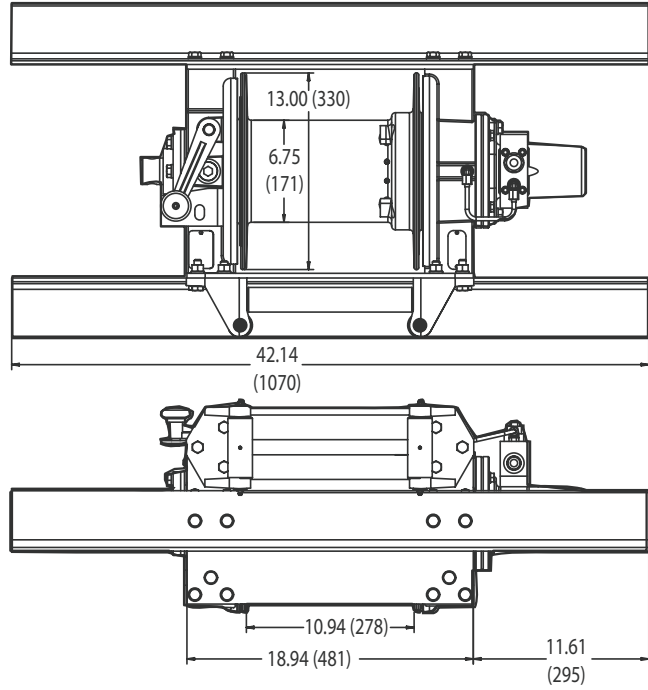
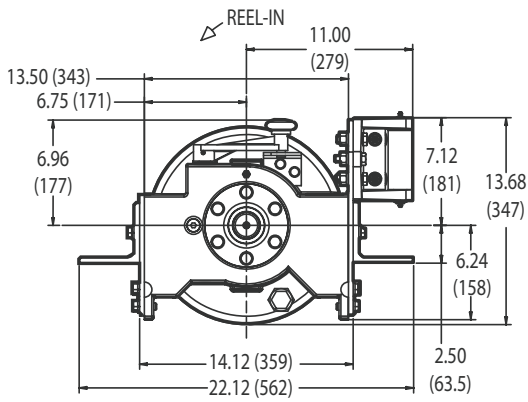
Fleet
Specified

PD18C Planetary Recovery Winch 20,000 lb (9,100kg) Cont.

ADDITIONAL DIMENSIONAL INFORMATION

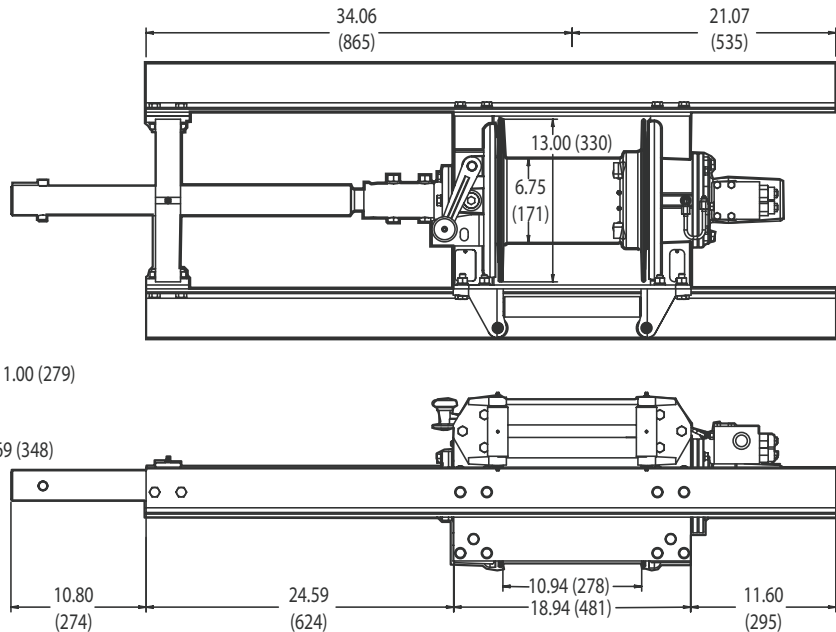
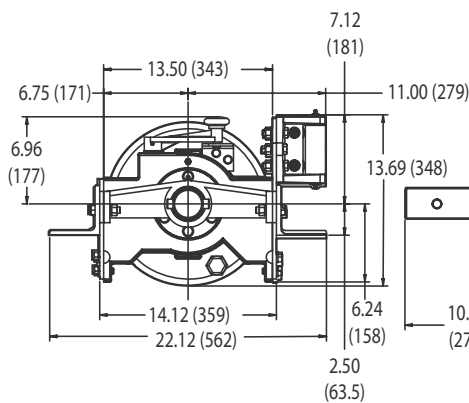
PD18C-11 F

ALL DIMENSIONS
SHOWN IN INCHES



PD18C-11 FEB

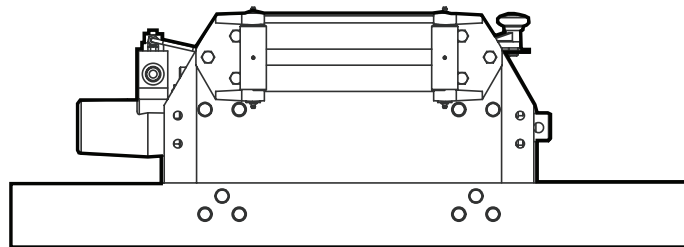
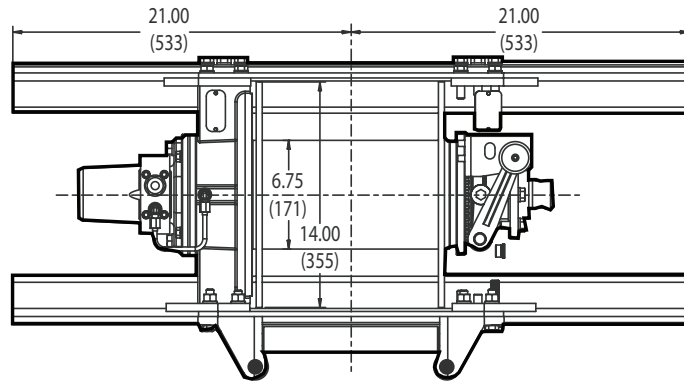
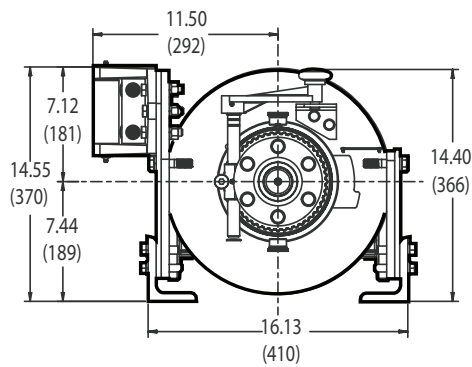
ALL DIMENSIONS
SHOWN IN INCHES



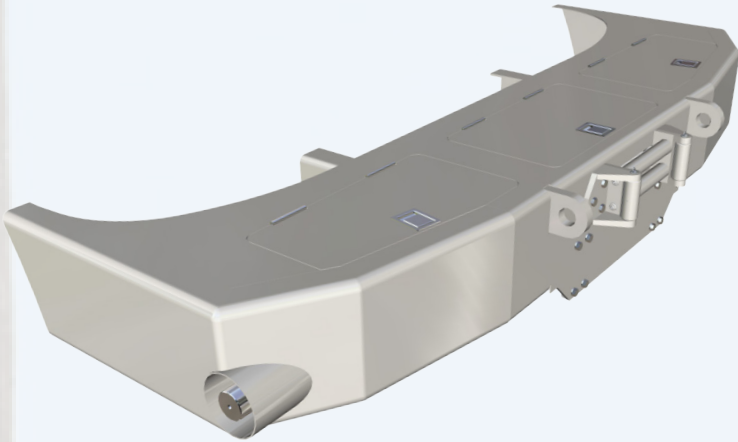
ADDITIONAL DIMENSIONAL INFORMATION

PD18C-11/14

ALL DIMENSIONS
SHOWN IN INCHES



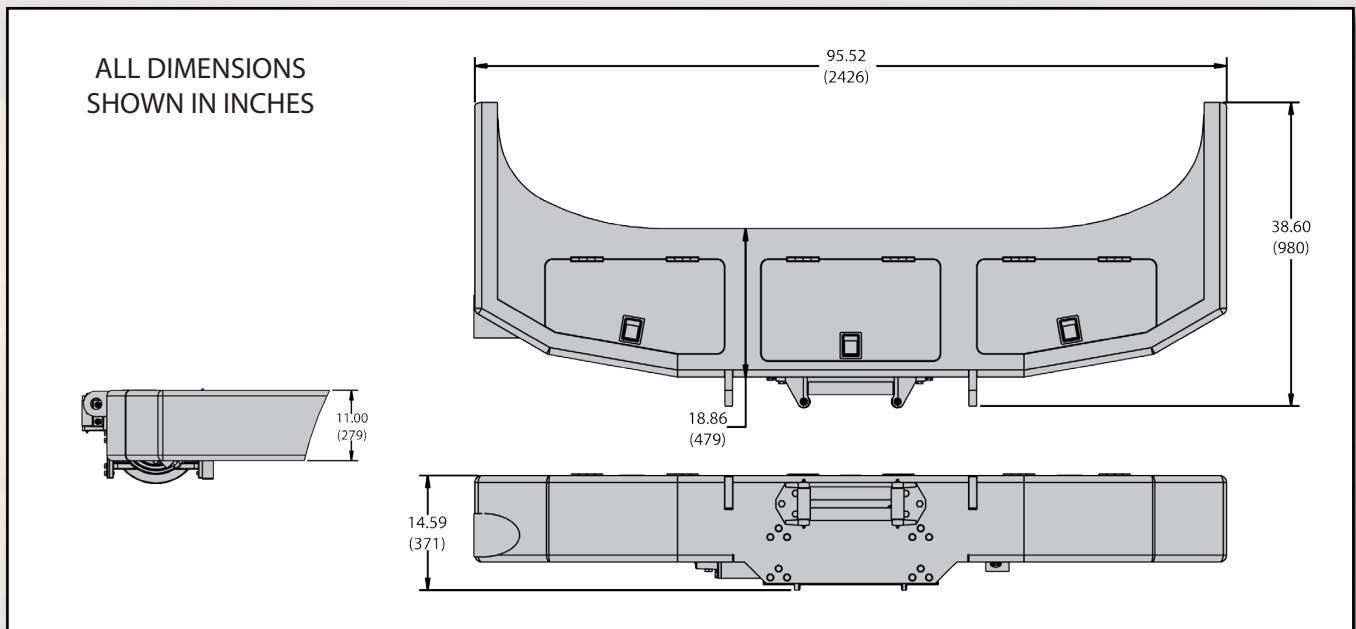
PD35A Planetary Recovery Winch 35,000 lb (15,900kg)



Features

- Designed for compliance with SAE J706
- Jaw clutch with negative draft for positive clutch engagement
- Enclosed oil bath "wet" disc brake for outstanding load control
- Extension shaft rotational speed is 5.4:1 speed of winch
- Dual tool boxes with expanded metal bottoms

DIMENSIONALS



PERFORMANCE

PD35A-35119-01

11.9 cu in. Motor (157cc)
2580 PSI (178 bar) @ 30 gpm (114 lpm)
Wire Rope Diameter: 3/4"

	LINE PULL		LINE SPEED		ROPE CAPACITY*	
	LB	KG	FPM	MPM	FT	M
1	35,000	15,900	27	8	26	8
2	28,690	13,040	33	10	58	18
3	24,300	11,045	39	12	95	29
4	21,080	9,580	46	14	138	42
5	18,620	8,460	52	16	187	57

*Rope capacity based on 90% of theoretical

EXTENSION SHAFT RATING

7" CAPSTAN	
LINE PULL	LINE SPEED
lbs	FPM
3,200	185

DRUM CAPACITY

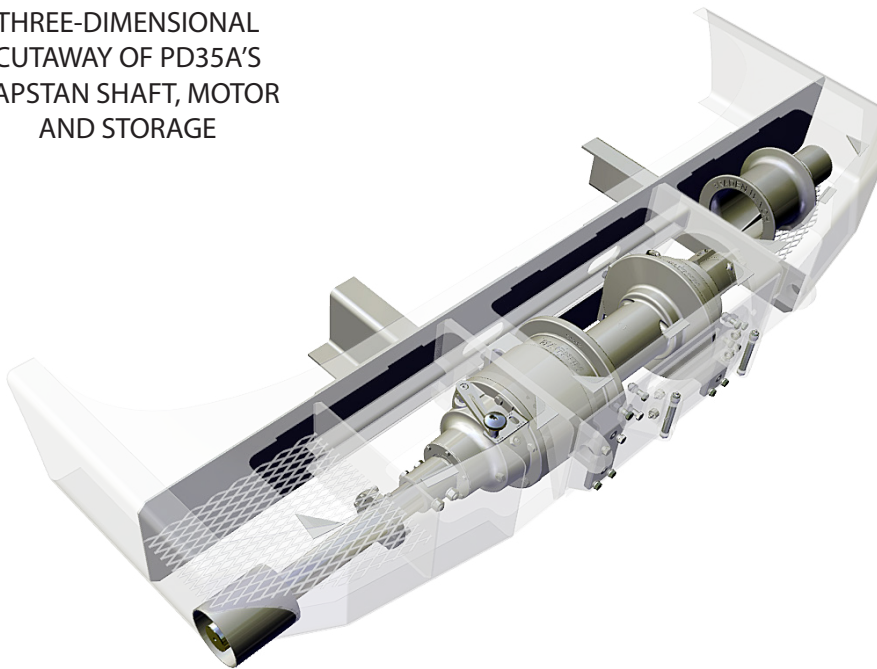
-01 DRUM CAPACITY (6.07" B x 14.00" F x 12.30" W)

	PD/d	1	2	3	4	5	6
5/8"	10.7:1	31	67	109	157	211	271
3/4"	9.0:1	26	58	96	139	188	
7/8"	8.0:1	23	51	85	125		

* Rope capacity based on 90% of theoretical

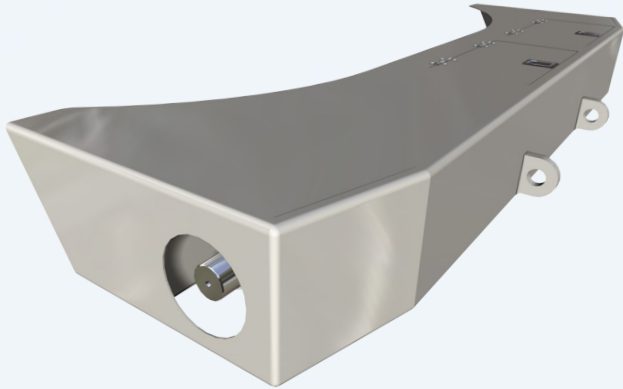
ADDITIONAL DIMENSIONAL INFORMATION

THREE-DIMENSIONAL CUTAWAY OF PD35A'S CAPSTAN SHAFT, MOTOR AND STORAGE



Fleet
Specified

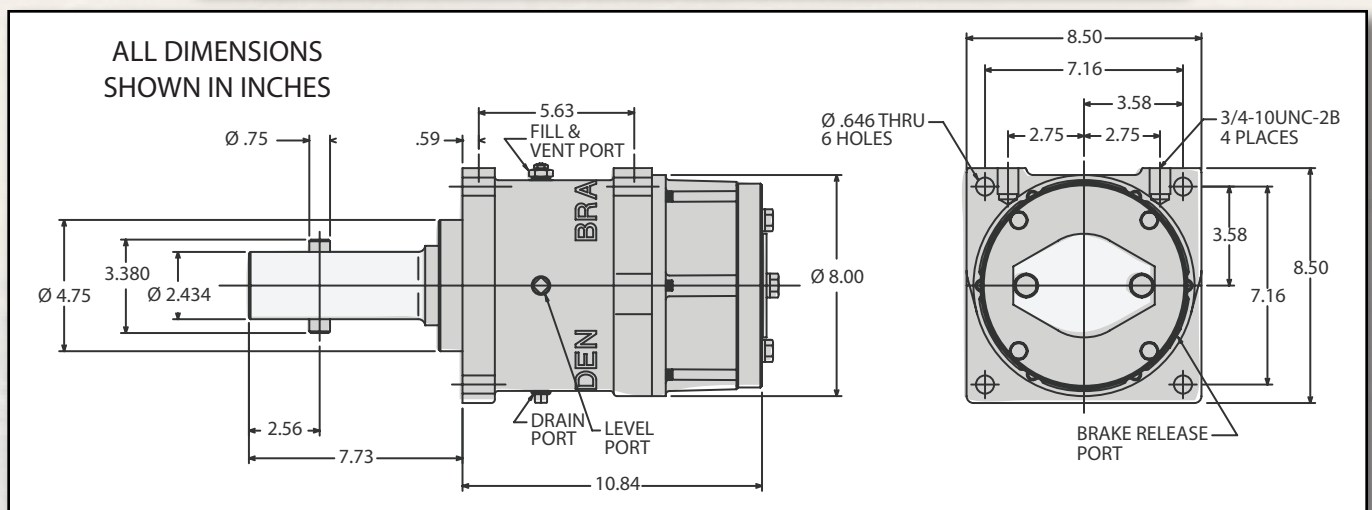
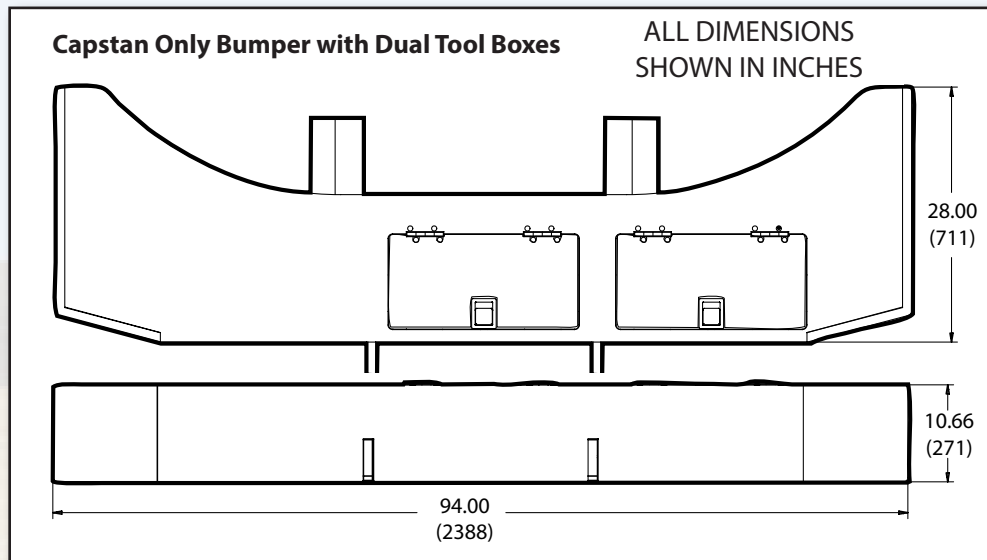
PCD24B Planetary Capstan Drive 6,000 lb (2,722kg)



Features

- Up to 6,000 lb Rating on 7 in. dia. Capstan
- High efficiency planetary gearing
- High capacity output bearings
- Several motor options provide optimum performance

DIMENSIONALS

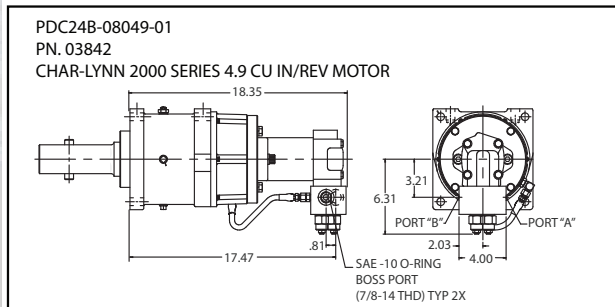
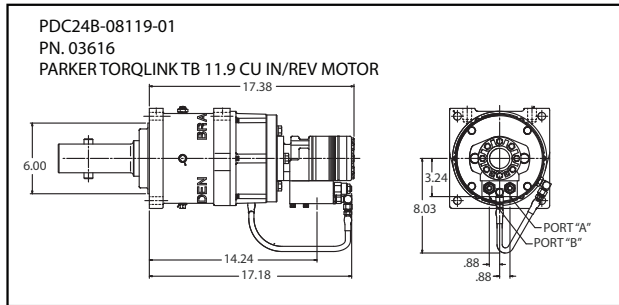
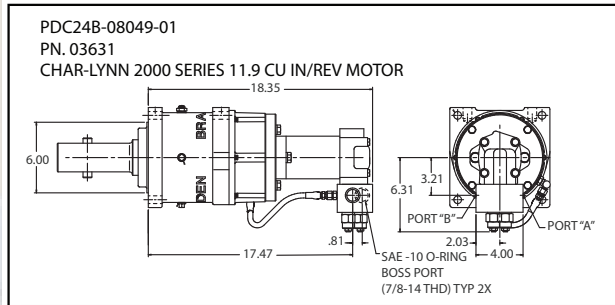
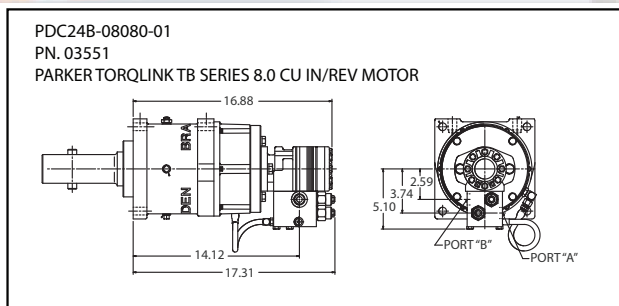
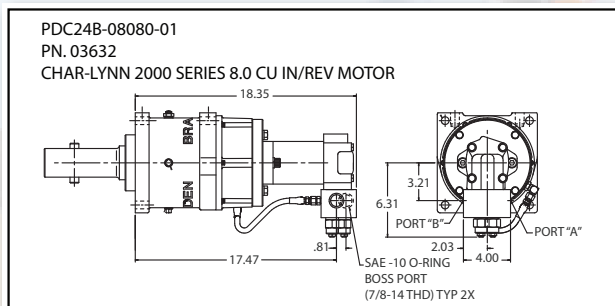


PERFORMANCE

FOR FLOW UP TO 20 GPM									
PART NO.	MODEL NO.	PRESSURE	FLOW	OUTPUT SHAFT		7" CAPSTAN		20" C.R. REEL	
				TORQUE	SPEED	LINE PULL	LINE SPEED	LINE PULL	LINE SPEED
		PSI	GPM	in. lbs.	RPM	lbs	FPM	lbs	FPM
03551	PCD24B-08080-01	2,500	20	16,000	65	4,000	127	1,600	343
03616	PCD24B-08119-01H	2,700	20	24,000	42	6,000	87	2,400	220
03842	PCD24B-08049-01	2800	20	12,000	106	3,000	222	1,200	560

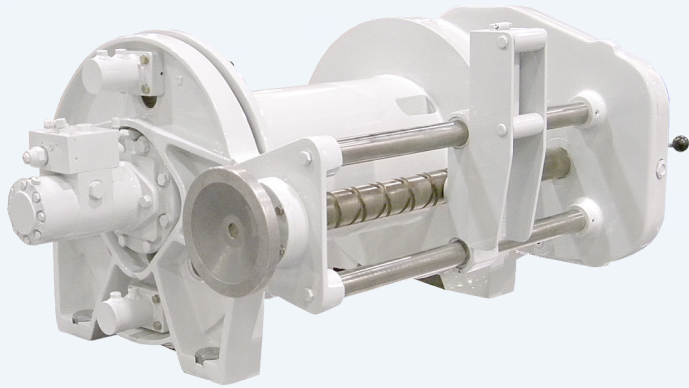
FOR FLOW UP TO 30 GPM									
PART NO.	MODEL NO.	PRESSURE	FLOW	OUTPUT SHAFT		7" CAPSTAN		20" C.R. REEL	
				TORQUE	SPEED	LINE PULL	LINE SPEED	LINE PULL	LINE SPEED
		PSI	GPM	in. lbs.	RPM	lbs	FPM	lbs	FPM
03632	PCD24B-08080-01	2,550	30	16,000	102	4,000	213	1,600	534
03631	PCD24B-08119-01H	2,400	30	24,000	68	6,000	142	2,400	356

ADDITIONAL DIMENSIONAL INFORMATION



Fleet Specified

BP200B Underground Cable Pulling Winch 20,000lb (9,100kg)

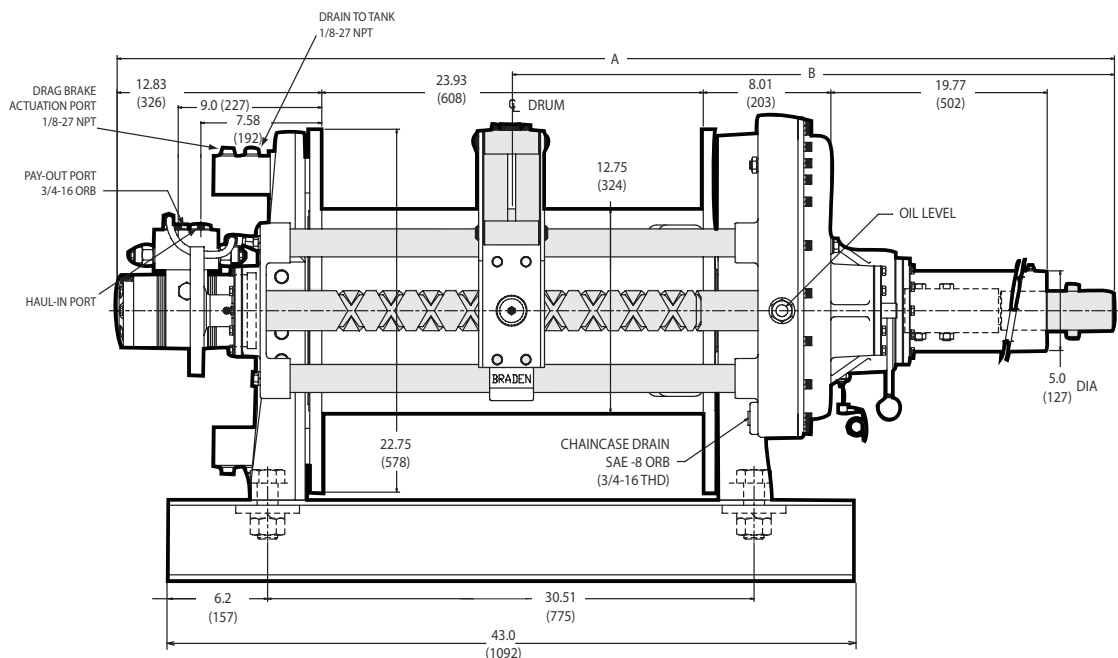


Features

- Compact design requires limited modification to service body compartments for simplified installation
- Adjustable Low-Drag Free Spool system permits operator to disconnect drum and pull off cable with minimal effort
- Level Wind System provides even distribution of cable under tension and allows the operator to make simple adjustments to accommodate changing cable conditions
- Two-Speed Motor delivers excellent low speed power and feathering control with shift-on-the-fly capability and a wide speed range

DIMENSIONALS

ALL DIMENSIONS
SHOWN IN INCHES



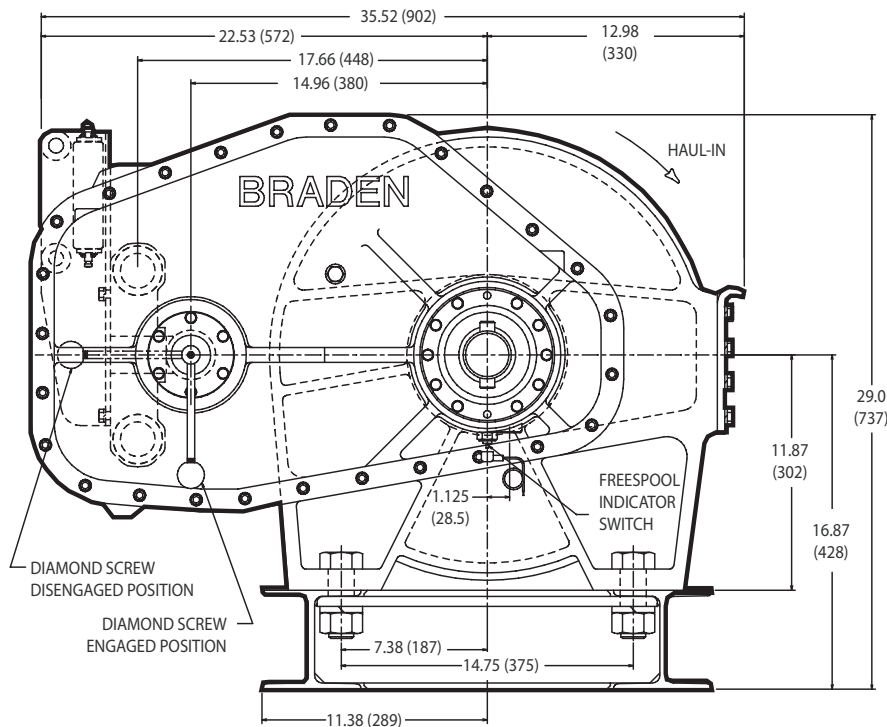
PERFORMANCE & DRUM CAPACITY

BP200B-23212/106-9/16-46

21.20/10.60 cu in. Motor (348/174cc)
 2500 PSI (172 bar) @ 30 gpm (113 lpm)
 Wire Rope Diameter: 9/16"

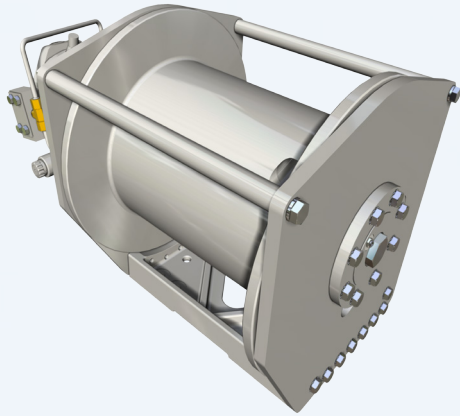
	LOW SPEED				HIGH SPEED				ROPE CAPACITY*	
	LINE PULL		LINE SPEED		LINE PULL		LINE SPEED			
	LB	KG	FPM	MPM	LB	KG	FPM	MPM	FT	M
1	20,000	9,100	44	13	9,900	4,500	88	27	148	45
2	18,450	8,370	48	15	9,100	4,130	96	29	66	94
3	17,100	7,760	52	16	8,450	3,830	104	32	109	147
4	16,000	7,260	55	17	7,850	3,560	111	34	158	204
5	15,000	6,800	59	18	7,350	3,330	119	36	211	264
6	14,000	6,350	63	19	6,900	3,130	126	38	1,077	329
7	13,270	6,020	67	20	6,540	2,970	134	41	1,301	396
8	12,550	5,700	70	21	6,200	2,810	141	43	1,537	468

* Rope capacity based on 90% of theoretical



Fleet Specified

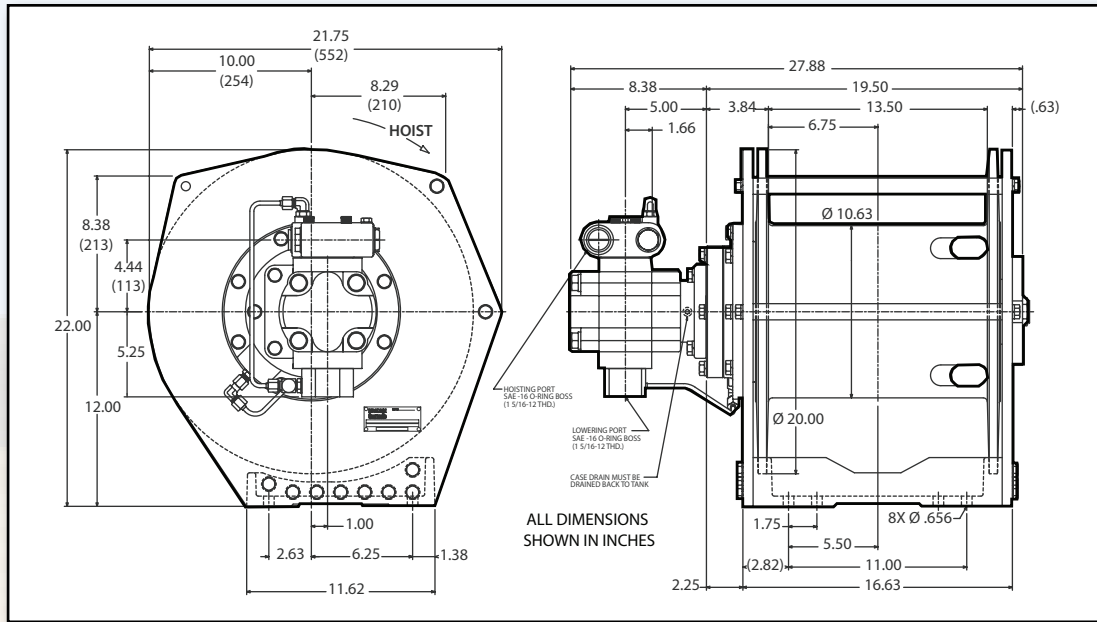
PD15B-41064-04 Planetary Turret Winch 15,000lb. (6,800kg)



Features

- Spring-applied, hydraulically-released parking brake with more than 3:1 design factor.
- Overrunning clutch to prevent fall-back.
- Patented BRADEN Brake Valve known for precise lowering control.

DIMENSIONALS



PERFORMANCE & DRUM CAPACITY

PD15B-41064-04

6.38 cu in. Motor (104cc)
2600 PSI (179 bar) @ 80 gpm (303 lpm)
Wire Rope Diameter: 1" Poly Rope

	LINE PULL		LINE SPEED		ROPE CAPACITY*	
	LB	KG	FPM	MPM	FT	M
1	14,500	6,800	200	61	41	12
2	12,400	5,600	234	71	89	27
3	10,800	4,900	269	82	144	44
4	9,600	4,300	303	92	206	63

*Use poly rope anchor PN. 24413

-04 DRUM CAPACITY

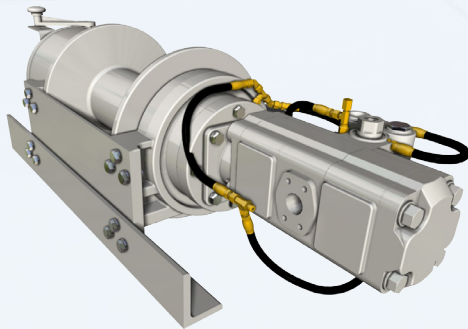
(10.62" B x 20.00" F x 13.50" W)

	PD/d	1	2	3	4	5	6	7	8	9
1/2"	22.0:1	78	163	255	354	460	573	694	822	957**
9/16"	20.0:1	70	147	231	322	420	525	637	756**	
5/8"	18.0:1	63	133	210	294	385	483	589**		
7/8"	*	46	99	159	226	300				
1"	*	41	89	144	206					
1 1/8"	*	36	79	129	186					

* Recommended for poly rope only. Use poly rope anchor PN. 24413

** Does not meet ANSI specifications

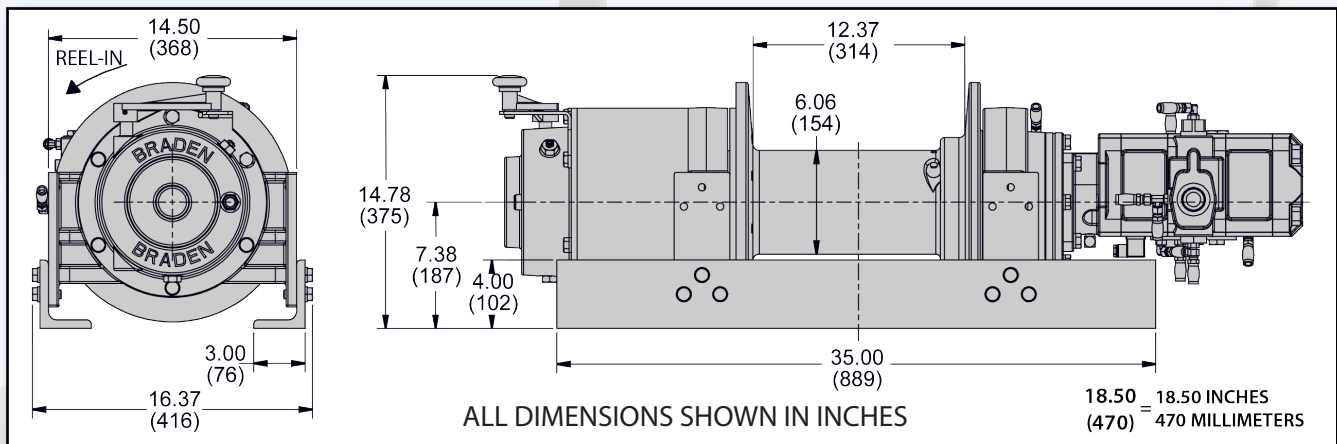
HP35A Planetary Recovery Winch 35,000lb (15,880kg)



Features

- Sealed two-stage high-efficiency planetary reduction gearing provides continuous duty performance for long pulls
- Enclosed oil bath "wet" disc brake for precision load control
- SAE J706 compliance-tested to ensure safe and secure operation

DIMENSIONALS



PERFORMANCE & DRUM CAPACITY

HP35A-35102/051-01

10.20/5.10 cu in. 2-Speed Motor (167/84cc) 2750 PSI (171 bar) @ 60 gpm (227 lpm)
Wire Rope Diameter: 3/4"

	LOW SPEED				HIGH SPEED				ROPE CAPACITY*	
	LINE PULL		LINE SPEED		LINE PULL		LINE SPEED			
	LB	KG	FPM	MPM	FPM	MPM	FPM	MPM	FT	M
1	35,000	15,880	26	8	17,500	7,940	57	17	26	8
2	28,690	13,010	58	18	14,340	6,510	70	21	58	18
3	24,300	11,020	96	29	12,150	5,520	83	25	96	29
4	21,070	9,560	139	42	10,540	4,780	95	29	139	42
5	18,600	8,440	188	57	9,300	4,220	108	33	188	57

* Rope capacity based on 90% of theoretical

-01 DRUM CAPACITY (6.07" B x 14.00" F x 12.30" W)

	PD/d	1	2	3	4	5	6
5/8"	10.7:1	31	67	109	157	211	271
3/4"	9.0:1	26	58	96	139	188	
7/8"	8.0:1	23	51	85	125		

* Rope capacity based on 90% of theoretical

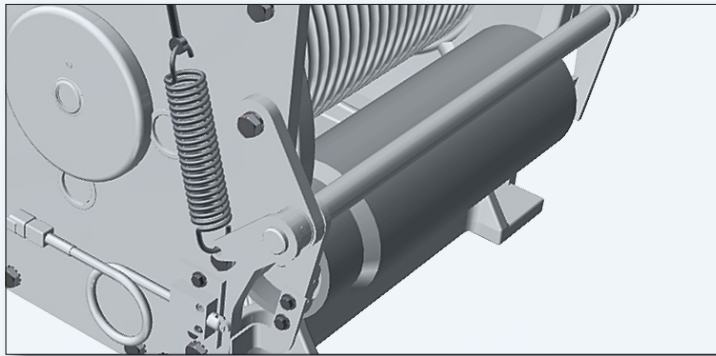
Utility Accessories

Tension Rollers

Available for the following winch models

PD15B

**Ask about availability on other models.*



The tension roller system holds the cable close to the drum while in motion to keep the line evenly spooled and prevent most tangles. The optional sensor alerts the operator when only one layer remains on the drum.

Benefits

- Saves time by preventing most tangles.
- Promotes even wear on the cable.
- Sensor option improves safety when lowering a load.
- Easy to service and test.

Capstan Head

Available for the following winch models

HUP12, PD18C, PD35A, PCD24B

**Ask about availability on other models.*



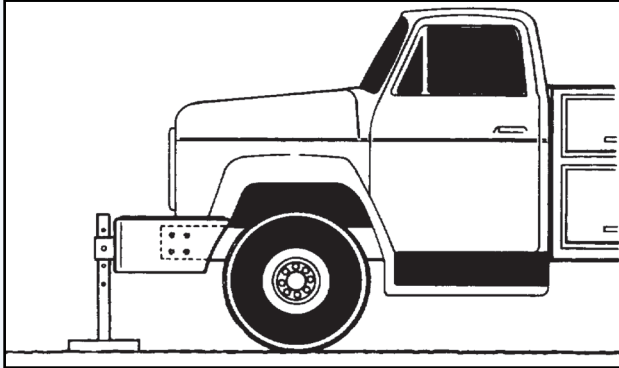
The Braden Capstan Head attaches to a capstan shaft, allowing for quick recovery of lighter loads.

Benefits

- Easy to attach and remove.
- Easy to operate.
- Easy to store.

ADDITIONAL IMPORTANT BUMPER INFORMATION

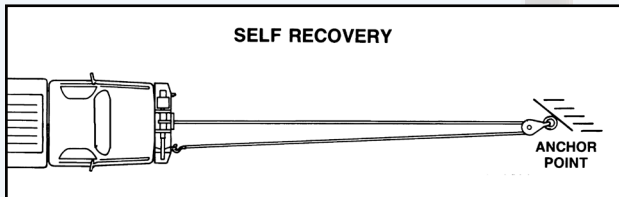
Downward Pulls



⚠ WARNING ⚠

Downward pulls by winch or capstan require additional support by a customer supplied stiff leg to prevent damage to truck suspension and/or bumper. Winch ratings are for the winch, bumper, and mounting brackets only and are not necessarily representative of the vehicle frame strength for which BRADEN assumes no liability

2-Part Line or Self-Recovery



⚠ WARNING ⚠

When using a sheave to 2-part line, the effective load on the bumper and truck frame is doubled. Winch pulls using a 2-part line should be horizontal and limited to 15° (degrees) of the vehicle's horizontal center-line.

Fleet
Specified



BRADEN[®]

Braden began in 1924 as the Braden Steel Corporation located in Tulsa, Oklahoma.

Owner Glenn Braden, and a handfull of hard working men, supplied drive heads for the booming oil industry.

Braden's close relationship with oil production and the birth of the American auto industry came together in 1927. Braden developed its first truck mounted winch and the first oil soaked winch safety brake. This innovation set a standard for safety and reliability in the industry.

Today, the Braden tradition lives on with winches and hoists designed to get the job done. Simple, rugged and long-lasting.



Find out more about Braden and the full line of PACCAR Winch products at www.paccarwinch.com.



BRADEN[®]
CARCO[®]
Gearmatic[®]
PACCAR WINCH



PACCAR WINCH
 800 E Dallas St Broken Arrow, OK 74013
 Tel 918-251-8511 / Fax 918-259-1575
www.paccarwinch.com

